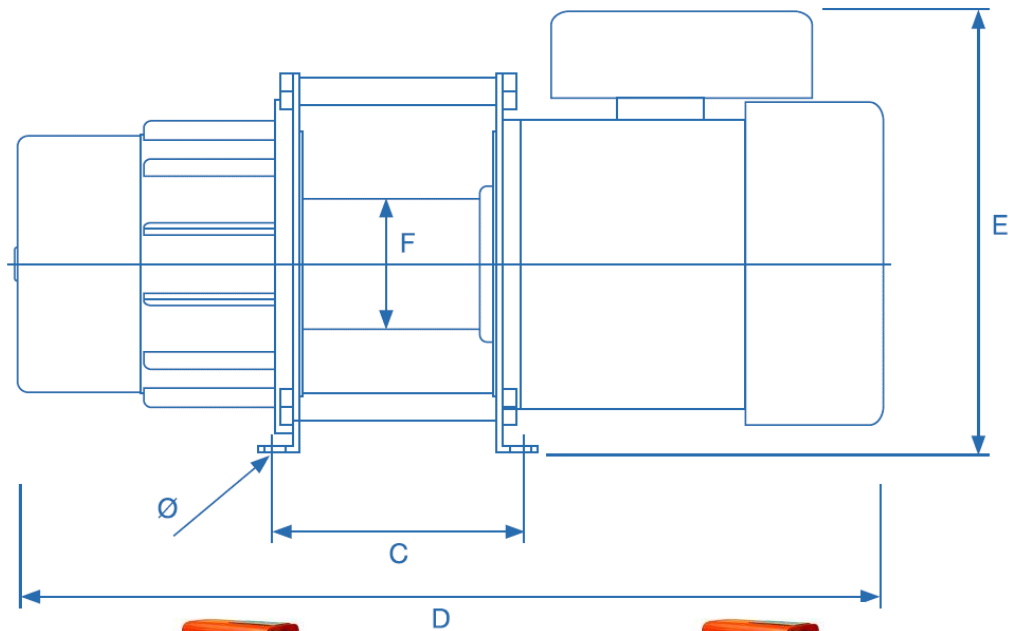
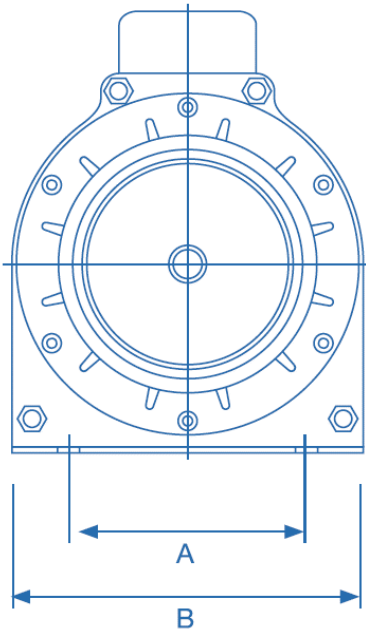


JC-1025-17D12

JC-1030-16D05

TECHNICAL DATA SHEET



Model	JC-1025-17D12	JC-1030-16D05
Capacity	250 Kg	300 Kg
Avg Speed (M/min)	17	13
Steel Rope Capacity	6mm x 120m	6mm x 50m
Voltage	1PH 240V AC 50Hz	1PH 240V AC 50Hz
Motor kW	1.6 kW	1.1 kW
Body Dimensions (mm)	A	160
	B	250
	C	250
	D	694
	E	290
	F	107
	\varnothing	17
Weight (kg)	62.5	38.6



WINCHES AUSTRALIA
Quality Winch Solutions



1300 946 242

www.heswinches.com.au